

# ADARA

GHID DE INSTALARE RAPIDA  
QUICK START GUIDE

RO / EN



Ghid de instalare rapida  
Quick Start Guide

## MULTUMIMI!

### RO

Va multumim ca ati ales ADARA ca piesa centrala a echipamentului dumneavoastra de gaming!  
Va rugam sa urmati instructiunile din manualul de utilizare pentru a finaliza cu succes instalarea noului echipament.

#SOLID #SMOOTH #FAST #ELEMENTAL

Welcome to the feel of AQIRYS®!

### EN

Thank you for handpicking ADARA to be the centerpiece of your gaming gear!  
Please, follow the instructions from the user manual to successfully complete the installation of your new gear.

#SOLID #SMOOTH #FAST #ELEMENTAL

Welcome to the feel of AQIRYS®!

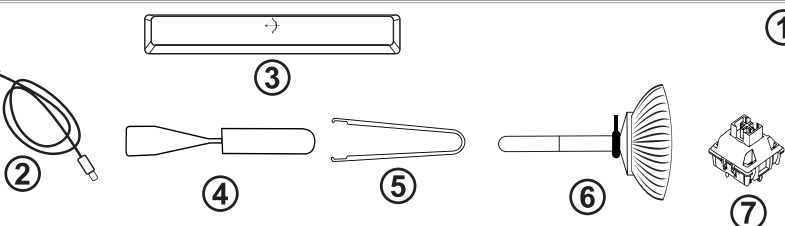
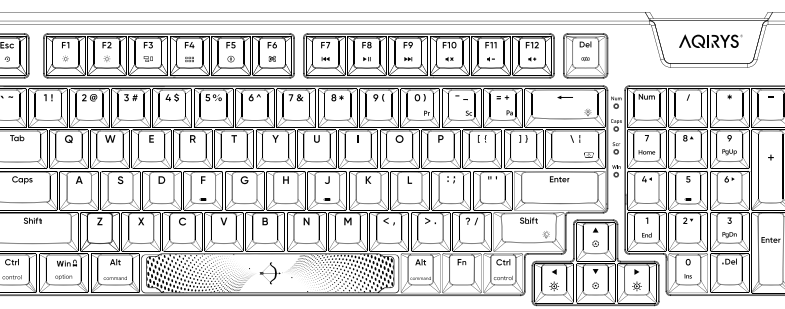
## THANK YOU!



Ghid de instalare rapida  
Quick Start Guide

## CONTINUTUL PACHETULUI

## INSIDE THE BOX



### RO

1. Tastatura mecanica ADARA
2. Cablu detasabil USB Type-C stil aviator
3. Tasta spacebar subtire
4. Extractor pentru capacele tastelor
5. Extractor pentru contacte mecanice
6. Perie pentru curatare
7. 20 de contacte tactile (5 pini)

### EN

1. ADARA mechanical keyboard
2. Detachable USB Type-C aviator-style cable
3. Slim spacebar
4. Keycap extractor
5. Switch extractor
6. Cleaning brush
7. 5-pin tactile switch (20 pcs.)



Ghid de instalare rapida  
Quick Start Guide

## MANAGEMENTUL CABLULUI

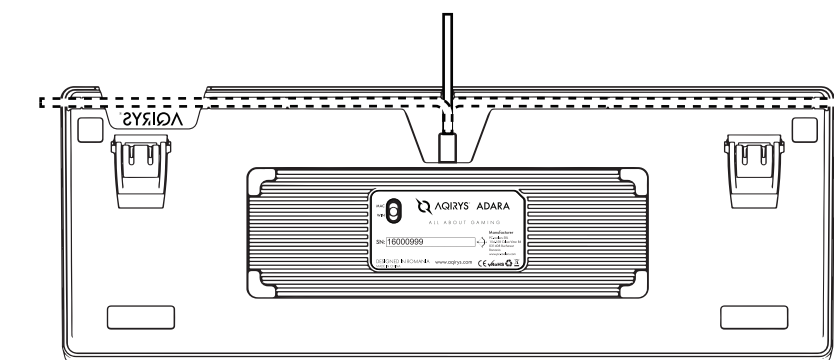
## CABLE MANAGEMENT

### RO

ADARA permite utilizarea unui cablu USB Type-C drept (nu este inclus) si aranjarea acestuia pe sub tastatura, prin intermediul canalelor disponibile, in functie de locul unde doriti sa il positionati la iesire.

### EN

ADARA allows using a straight USB Type-C cable (not included) and routing it through the available channels under the keyboard, depending on where you want to position its exit.



Ghid de instalare rapida  
Quick Start Guide

## INSTALARE

## SETUP



### RO

1. Conectati cablu la tastatura folosind mufa USB Type-C.
2. Conectati tastatura la portul USB 2.0 al computerului.
3. Descarcati driver-ul (disponibil aici: [www.aqirys.com/product/adara](http://www.aqirys.com/product/adara)) > Dezarhivati si instalati > Utilizati software-ul instalat pentru configurarea detaliata a tastaturii.

### EN

1. Connect the cable to the keyboard using the USB Type-C terminal.
2. Connect the keyboard to the USB 2.0 port of the computer.
3. Download the software driver (available here: [www.aqirys.com/product/adara](http://www.aqirys.com/product/adara)) > Unpack and install > Use the software to customize your keyboard settings.

### RO

#### Nota

1. Cand utilizati ADARA pe o platforma Mac, asigurati-va ca butonul aflat pe spatele tastaturii este comutat pe pozitia Mac.
2. Software-ul AQIRYS este compatibil doar cu sisteme de operare Windows.

### EN

#### Note

1. When using ADARA on a Mac platform, check the button on the keyboard's back is switched to the Mac position.
2. AQIRYS software is only compatible with Windows operating systems.



Ghid de instalare rapida  
Quick Start Guide

## FUNCTII MULTIMEDIA - WINDOWS

## MULTIMEDIA SHORTCUTS - WINDOWS

- Fn + F1 Scade luminozitatea / Decrease brightness
- Fn + F2 Creste luminozitatea / Increase brightness
- Fn + F3 Vizualizarea activitatilor / Task view
- Fn + F4 Explorator fisiere / File explorer
- Fn + F5 Cautare / Search
- Fn + F6 Captura de ecran / Screenshot
- Fn + F7 Melodia anterioara / Previous track
- Fn + F8 Play/Pauza / Play/Pause
- Fn + F9 Melodia urmatoare / Next track
- Fn + F10 Oprete sunet / Mute
- Fn + F11 Volum - / Volume -
- Fn + F12 Volum + / Volume +
- Fn + Win R Blocare tasta Windows / Windows key lock
- Fn + 0) Print Screen
- Fn + - Scroll Lock
- Fn + =+ Pause



Ghid de instalare rapida  
Quick Start Guide

## FUNCTII MULTIMEDIA - MAC OS

## MULTIMEDIA SHORTCUTS - MAC OS

- Fn + F1 Scade luminozitatea / Decrease brightness
- Fn + F2 Creste luminozitatea / Increase brightness
- Fn + F3 Vizualizarea activitatilor / Task view
- Fn + F4 Explorator fisiere / File explorer
- Fn + F5 Cautare / Search
- Fn + F6 Captură de ecran / Screenshot
- Fn + F7 Melodia anterioara / Previous track
- Fn + F8 Play/Pauza / Play/Pause
- Fn + F9 Melodia urmatoare / Next track
- Fn + F10 Oprete sunet / Mute
- Fn + F11 Volum - / Volume -
- Fn + F12 Volum + / Volume +
- Fn + Win R Blocare tasta Windows / Windows key lock
- Fn + 0) Fara functie / No function
- Fn + - Fara functie / No function
- Fn + =+ Fara functie / No function



Ghid de instalare rapida  
Quick Start Guide

## ILUMINAREA TASTELOR

## KEYS BACKLIGHT

- Fn + [Lamp Icon] Efecte de iluminare / Illumination effects
- Fn + [Del Icon] Schimba secventa de culoare / Switch color sequence
- Fn + [Sun Icon] Creste viteza iluminarii / Increase illumination speed
- Fn + [Moon Icon] Scade viteza iluminarii / Decrease illumination speed
- Fn + [Up Arrow Icon] Creste luminozitatea / Increase illumination brightness
- Fn + [Down Arrow Icon] Scade luminozitatea / Decrease illumination brightness

## ILUMINAREA LOGOULUI

## LOGO BACKLIGHT

- Fn + [Lamp Icon] Efecte de iluminare / Illumination effects
- Fn + [Shift Icon] Ajusteaza luminozitatea / Brightness adjustment

## RESETARE TASTATURA

## FACTORY RESET

### RO

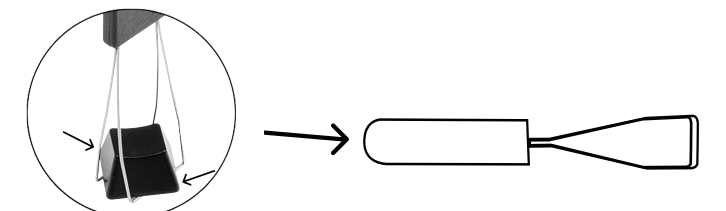
Apasati FN + ESC timp de 3 secunde pentru a reseta tastatura la setarile din fabrica.

### EN

Press FN + ESC for 3 seconds to reset the keyboard to factory settings.



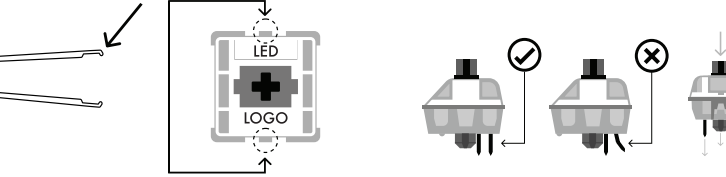
**SCOATEREA TASTELOR KEYCAP REMOVAL**



**RO** Folosind instrumentul de extragere a capacului de taste, alinai-l in diagonala cu tasta pe care doriti să o inlocuiti si trageti usor in timp ce tineti apasate clemele.

**EN** Using the keycap extraction tool, line up diagonally with the key you want to replace and gently pull while holding down the clips.

**SCOATEREA CONTACTELOR SWITCH REMOVAL**



**RO** 1. Folosind instrumentul de indepartare a contactelor mecanice, alinaii dintii de prindere vertical (pe axa Y) in centrul contactului, asa cum se vede in imaginea de mai sus.  
2. Prindeti contactul mecanic si aplicati presiune pana cand acesta se elibereaza de pe placa PCB.  
3. Cu fermitate, dar atentie, scoateti contactul din tastatura printr-o miscare verticala.

**EN** 1. Using the Switch Removal Tool, align the clamping teeth vertically (on the Y-Axis) at the center of the switch, as shown in the picture above.  
2. Grab the switch and apply pressure until the switch releases itself from the PCB plate.  
3. Using firm but gentle force pull the switch away from the keyboard using a vertical motion.

**INSTALAREA CONTACTELOR SWITCH INSTALLATION**

**RO** 1. Verificati daca toti piniile metalici ai contactului mecanic sunt perfect drepti si curati.  
2. Inserati contactul mecanic in locul specific asigurandu-va ca pozitia lui este similara cu cea din ilustratie: logo-ul orientat spre partea inferioara a tastaturii si zona decupata pentru iluminarea LED orientata spre partea superioara a tastaturii.  
3. Apasati contactul mecanic in jos pana cand auziti un clic. Aceasta inseamna ca piniile contactului mecanic s-au atasat la placa tastaturii.  
4. Inspectati contactul mecanic pentru a va asigura ca este atasat corect la tastatura si testati-l.

**EN** 1. Check that all metallic pins of the switch are perfectly straight and clean.  
2. Insert the mechanical switch in the specific location making sure that its position is similar to the one in the illustration: the logo facing the bottom of the keyboard and the recessed area for the LED illumination facing the top of the keyboard.  
3. Press the switch down until you hear a click. This means your switch clips have attached themselves to the keyboard plate.  
4. Inspect the switch to ensure it is correctly attached to the keyboard, and test it.

**ATENȚIE! WARNING!**

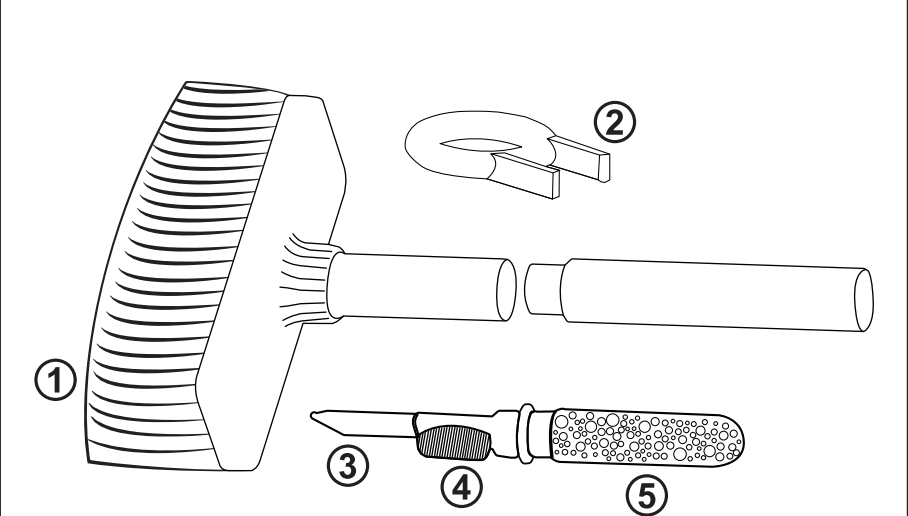
**RO** Daca contactul mecanic nu functioneaza, este posibil sa fi indoit unul dintre pini in timpul instalarii. Scoateti contactul mecanic si incercati, cu mare atentie, sa indreptati pinul indoit.

Daca procesul de instalare nu este efectuat corect piniile poti fi deteriorati iremediabil, necesitand inlocuirea completa a contactului mecanic, **acest lucru nefiind acoperit de garantia produsului.**

**EN** If the mechanical switch does not work, you may have bent one of the pins during installation. Remove the mechanical switch and carefully try to straighten the bent pin.

If the installation process is not carried out correctly the pins may be irreparably damaged, requiring complete replacement of the switch, **which is not covered by the product warranty.**

**PERIE MULTI-TOOL MULTI-TOOL BRUSH**



- RO**
1. Perie pentru curatare
  2. Extractor pentru capacele tastelor
  3. Varf metalic tip stilou
  4. Perie cu densitate mare
  5. Burete cu densitate mare
- EN**
1. Cleaning brush
  2. Keycap extractor
  3. Pen-type metal tip
  4. High density brush
  5. High density sponge

**SUPPORT SUPPORT**

**RO** Daca intampinati erori sau orice alte probleme in utilizarea produsului nu ezitati sa ne contactati.

**EN** If you encounter errors or any other problems with the mouse don't hesitate to contact us.

[support@aqirys.com](mailto:support@aqirys.com)



© AQIRYS®. All rights reserved. AQIRYS® name and logo and all other related products, service names, and design marks are trademarks or registered trademarks of PC-coolers SRL. All other brand names and trademarks are the property of their respective owners. Specifications and design are subject to change without notice due to product improvements.

**REGLEMENTARI REGULATORY**

- Unauthorized repairs or disassembly of the product will void the warranty and may cause its damage.  
- This product is safe and complies to EU requirements. (compliant with directive EMC (2014/30/UE))  
- This product is manufactured conforming with the European RoHS standard. (compliant with directive RoHS 2.0 (2015/863/EU))  
- Using the WEEE symbol (the crossed-out bin) indicates that the electrical and electronic equipment inside the package can be recycled. When recycling waste properly, you protect the environment and people health. Segregated household waste collection, aids recycle materials and components used for the production of this device. For detailed information about recycling, please contact your retailer or a local authority.

- Reparatiile neautorizate sau dezamblarea produsului duc la anulara garantiei si pot cauza deteriorarea lui.  
- Produsul este unul sigur, conform cu cerintele UE. (respecta directiva EMC (2014/30/UE))  
- Acest produs este fabricat in concordanta cu standardul european RoHS. (respecta directiva RoHS 2.0 (2015/863/EU))  
- Utilizarea simbolului WEEE (puțelă tăiată cu un X) indică faptul că echipamentele electrice și electronice din interiorul ambalajului pot fi reciclate. Când reciclați deseurile în mod corespunzător protejați mediul înconjurător. Colectarea selectivă ajută la reciclarea materialelor și componentelor folosite la fabricarea acestui echipament. Pentru informații detaliate privind reciclarea, va rugăm sa contactati vanzatorul sau autoritățile locale.

- Les réparations non autorisées ou le désassemblage du produit portent à l'annulation de la garantie et peuvent causer son endommagement.  
- Le produit est sûr, conformément aux exigences de l'UE. (respecte la directive CEM (2014/30/UE))  
- Ce produit est fabriqué conformément à la norme européenne RoHS. (respecte la directive RoHS 2.0 (2015/863/EU))  
- L'utilisation du symbole DEEE (poubelle barrée d'une croix) indique que les équipements électriques et électroniques de l'intérieur de l'emballage peuvent être recyclés. Lorsque vous recyclez correctement les déchets, vous protégez l'environnement. La collecte sélective aide au recyclage des matériaux et des composants utilisés à la fabrication de cet équipement. Pour obtenir des informations détaillées sur le recyclage, veuillez contacter le vendeur ou les autorités locales.

- Nicht autorisierte Reparaturen oder Demontagen des Produkts führen zur Löschung der Garantie und möglicherweise zur Beschädigung des Produktes.  
- Das Produkt ist nach den Anforderungen der EU sicher. (EMV Verordnung (2014/30/UE))  
- Dieses Produkt wird gemäß der europäischen RoHS-Norm hergestellt. (RoHS Verordnung 2.0 (2015/863/EU))  
- Die Verwendung des WEEE-Symbols (mit einem X durchgestrichene Tonne) zeigt an, dass die elektrischen und elektronischen Geräte in der Verpackung recycelt werden können. Wenn Sie Abfälle ordnungsgemäß recyceln, tragen Sie zum Umweltschutz bei. Die Abfalltrennung hilft beim Recycling von Materialien und Bauteilen, die bei der Herstellung dieser Geräte verwendet werden. Ausführliche Informationen zum Recycling erhalten Sie von Ihrem Händler oder den örtlichen Behörden.

- Le riparazioni non autorizzate o lo smontaggio del prodotto portano all'annullamento della garanzia e possono causare il suo danneggiamento.  
- Il prodotto è sicuro, in conformità ai requisiti dell'UE (rispetto la direttiva EMC (2014/30/UE))  
- Questo prodotto è fabbricato in conformità alla norma europea RoHS. (rispetto la direttiva RoHS 2.0 (2015/863/EU))  
- L'uso del simbolo WEEE (cestino tagliato da una croce) indica che le apparecchiature elettriche ed elettroniche trovate all'interno della confezione possono essere riciclate. Quando riciclate i rifiuti in maniera adeguata, proteggete l'ambiente. La raccolta selettiva aiuta a riciclare i materiali e i componenti utilizzati per la fabbricazione di questa attrezzatura. Per informazioni dettagliate sul riciclaggio, contattare il venditore o le autorità locali.

- Neoprávnené opravy alebo demontáž výrobku vedú k zrušeniu záruky a môžu spôsobiť jeho poškodenie.  
- Produkt bezpečný, zgodny z wymogami UE. (przeznaczony do dystrybucji w UE) (2014/30/UE)  
- Tento produkt je vyrobený v súlade s európskou normou RoHS. (je v súlade so smernicou RoHS 2.0 (2015/863/EU))  
- Použití symbolu WEEE (odpadkový koš, který je přeškrtnutý s X) naznačuje, že elektrická a elektronická zařízení z vnitřku balení jsou vhodná k recyklaci. Pokud řádně recyklujete odpady, chráníte životní prostředí. Selektivní sběr pomáhá recyklovat materiály a komponenty používané při výrobě tohoto zařízení. Za podrobné informace o recyklaci, kontaktujte prosím prodejce nebo místní úřady.

- A termék biztonságos, gyártása EU-s normáknak megfelelő. (EMC/2014/30/UE)  
- A termék gyártása az európai RoHS standard normatíváknak megfelel (RoHS 2.0 (2015/863/EU))  
- A WEEE szimbólum (átüresített kukázási szimbólum) jelzi, hogy a csomagban található elektronikus és elektromos alkatrészek újrahasznosíthatók. A hulladék megfelelő újrahasznosításával védi környezetét. A szelektív hulladékgyűjtéssel hozzájárul ezen termék gyártásához használt anyagok és alkatrészek újrahasznosításához. Bővebb tájékoztatásért kérjük igényelje a részleteket a forgalmazótól vagy a helyhatósági szervek képviselőitől.



**REGLEMENTARI REGULATORY**

- Neoprávnené opravy alebo demontáž výrobku vedú k zrušeniu záruky a môžu spôsobiť jeho poškodenie.  
- Jedná sa o bezpečný výrobok v súlade s požiadavkami EÚ. (Respektuje smernicu o EMC (2014/30/UE))  
- Tento produkt je vyrobený v súlade s európskou normou RoHS. (spĺňa smernicu RoHS 2.0 (2015/863/EU))  
- Použití symbolu WEEE (odpadkový koš, který je přeškrtnutý s X) naznačuje, že elektrická a elektronická zariadenia z vnútra balenia sú vhodné na recykláciu. Ak riadne recyklujete odpad, chránite životné prostredie. Selektívny zber pomáha recyklovať materiály a komponenty používané pri výrobe tohto zariadenia. Za podrobné informácie o recyklácii, kontaktujte prosím predajcu alebo miestne úrady.

- Neovlášení opravy ili otvaranje proizvoda vodi do anuliranja garancije i mogu voditi do oštećenja uređaja.  
- Proizvod jeste bezbedan, u skladu sa zahtevima EU. (poštuj direktivu EMC (2014/30/UE)).  
- Ovaý proizvod proizveden je u skladu sa evropskim standardom ROHS (odnosno direktiva ROHS 2.0. (2015/863/EU)).  
- Uprateba simbola WEEE (kanta isecena sa X) pokazuje žinjenicu da sve elektricne i elektrotehnicke opreme iz ambalaze mogu biti reciklirani. Kada vršite reciklažu otpada na odgovarajući način žitite životnu sredinu. Selektivna kolekcija pomaže u reciklažu materijala i komponenta upotrebljenih u proizvodnji opreme. Za detaljne informacije u odnosu na reciklažu, molimo vas da stupite u kontaktu sa vašim prodavcem ili lokalnim vlastima.

- Μη εξουσιοδοτημένες επιδιορθώσεις ή άσυναρμολόγηση του προϊόντος επιφέρουν ακύρωση της εγγύησης και μπορούν να προκαλέσουν την αλλοίωση του.  
- Το προϊόν είναι ασφαλές, σε συμμόρφωση με τις απαιτήσεις της Ε.Ε. (συγκεκριμένα την οδηγία EMC (2014/30/ΕU))  
- Αυτό το προϊόν κατασκευάζεται σύμφωνα με το ευρωπαϊκό πρότυπο RoHS. (συγκεκριμένα την οδηγία RoHS 2.0 (2015/863/ΕU)).  
- Η χρήση του συμβόλου WEEE ( διαγραμμένος κάδος απορριμμάτων με ένα X) υποδεικνύει πως ο ηλεκτρικός και ηλεκτρονικός εξοπλισμός του εσωτερικού του αφαλάξ μπορούν να ανακυκλωθούν. Όταν ανακυκλώνεται τα απόβλητα με αποδοτικό τρόπο προστατεύεται τον περιβάλλον. Η επιλεκτική συλλογή βοήθα στην ανακύκλωση των υλικών και εξορμητών που χρησιμοποιούνται στην παραγωγή αυτού του εξοπλισμού. Για λεπτομερείς πληροφορίες σχετικά με την ανακύκλωση, παρακαλούμε να επικοινωνήσετε με τον πωλητή ή τις τοπικές αρχές.

- Неоторизирани ремонтни работи или разглобяването на продукта водят до нищожество на гаранцията и могат да доведат до неговата повреда.  
- Продуктът е само една бройка, в съответствие с изискванията на ЕС. (Спазва разпореджията на Директивата EMC (2014/30/EC))  
- Тоzi продукт е произведен в съответствие с европейския стандарт RoHS. (Съответстващата Директива RoHS 2.0 (2015/863/EC))  
- Отбелязването на символа WEEE (зачеркната с X кофа за отпадъци) посочва факта, че електрическите и електронните устройства в опаковката могат да се рециклират. При надлежно рециклиране, опазвате околната среда. Разделното събиране на отпадъците помага за рециклирането на употребяваните материали и съставки за изработване на това устройство. За подробни информации относно рециклирането, молим Ви да се свържете с продавача на устройството или местните власти.

- Nieautoryzowane naprawy lub demontaż produktu spowodują utratę gwarancji i mogą spowodować jego uszkodzenie.  
- Produkt bezpieczny, zgodny z wymogami UE. (przeznaczony do dystrybucji w UE) (2014/30/UE)  
- Ten produkt został wyprodukowany zgodnie z europejską normą RoHS. (odpowiednio dystrybucyjną w UE) (2015/863/UE)  
- Użycie symbolu WEEE (kosz na śmieci z X) oznacza, że sprzęt elektryczny i elektroniczny wewnątrz opakowania można poddać recyklingowi. Poprzez prawidłowy recykling odpadów chronisz środowisko. Selektywna zbiórka pomaga w recyklingu materiałów i komponentów użytych do produkcji tego sprzętu. Aby uzyskać szczegółowe informacje dotyczące recyklingu, skontaktuj się ze sprzedawcą lub lokalnymi władzami.  
- A termék nem szakszerű javítása vagy a termék alkatrészeire való bontása a garancia elvesztését jelenti és ugyanakkor a termék sérülését is előidézheti.



Noi, S.C. PC-coolers S.R.L. cu sediul social in Bucuresti, strada Matei Basarab, nr. 98, bloc 86, scara 2, etaj 3, apartament 40, sector 3, cu certificat de inregistrare seria J40/1005/2005 prin reprezentant legal Director General Bogdan Bistreanu, asiguram, garantam si declaram pe propria raspundere, conform prevederilor din: HG 487/2016 (privind compatibilitatea electromagnetica), HG 409/2016 (privind stabilirea conditiilor pentru punerea la dispozitie pe piata a echipamentelor electrice de joasa tensiune), OUG 5/2015 (privind deseurile de echipamente electrice si electronice) si HG 322/2013 (privind restrictiile de utilizare a anumitor substante periculoase in echipamentele electrice si electronice), ca produsul:

Tip produs	Brand	Denumire marketing	Numar model
Tastatura PC	AQIRYS	Adara	ADARA

la care se refera aceasta declaratie, nu pune in pericol viata, sanatatea, securitatea muncii, nu produce un impact negativ asupra mediului, nu pune in pericol securitatea oamenilor, animalelor domestice si bunurilor mobile si imobile si este in conformitate cu urmatoarele reglementari si Directive Europene:

**RoHS 2.0 (2015/863/EU), EMC (2014/30/UE)**

si urmatoarele Standarde Europene:

**EN 55032:2015+A11:2020+A1:2020**  
**EN 55035:2017+A11:2020**  
**EN 50581:2012**

Potrivit dispozitiilor HG 487/2016 si ale HG 409/2016, produsul este marcat "CE".



Prezenta declaratie fost completata conform documentelor emise de catre Producator.



Importator si Distribuitor in Romania: **SC PC-coolers SRL**  
Adresa: Calea Vitan 154-158, sector 3, Bucuresti, Romania  
☎ 031.433.7200 | ✉ office@pc-coolers.ro | 🌐 www.pc-coolers.ro

